



1523 Grand Blvd.
Kansas City, MO 64108

800.366.6700
support@cramerinc.com

cramerinc.com

Citrus™



CTDL
CTDU
CTDE
CTHL
CTHU
CTHE

CTRD
CTRH

Assembly and operating instructions.



Chair Assembly

3 - 11



Height Adjustment

12 - 13



Flex Function

14 - 15



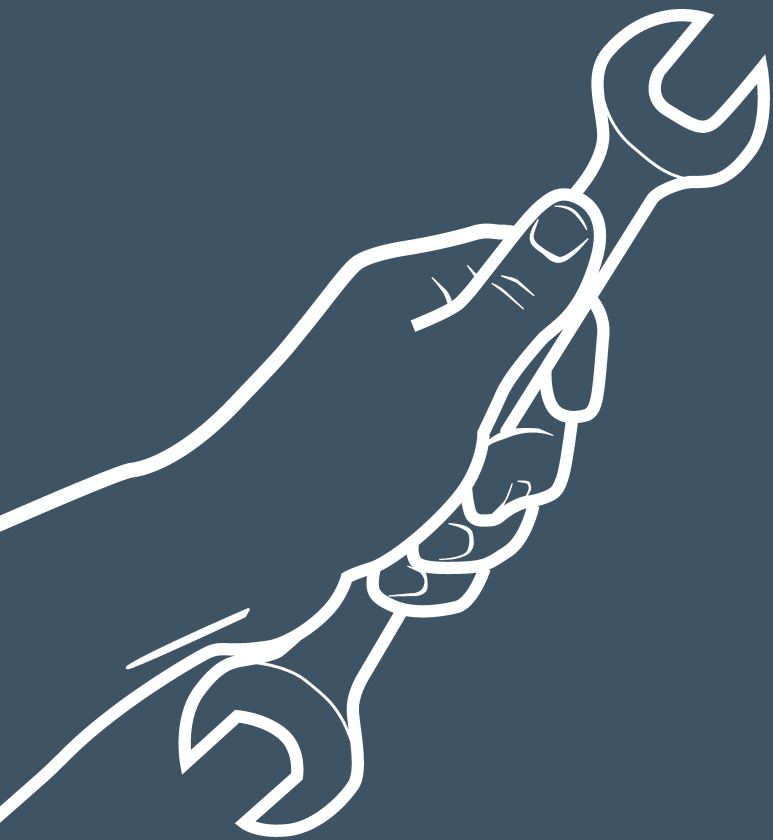
Footring Adjustment

16 - 17



Cleaning

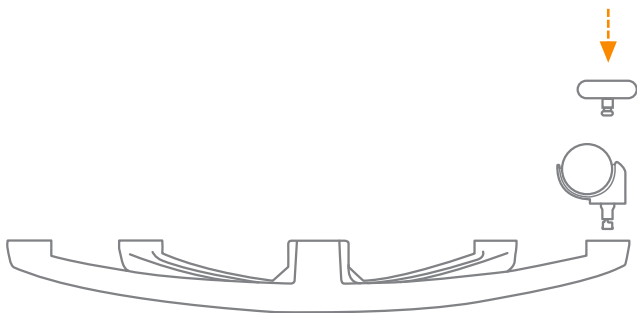
18



Chair Assembly

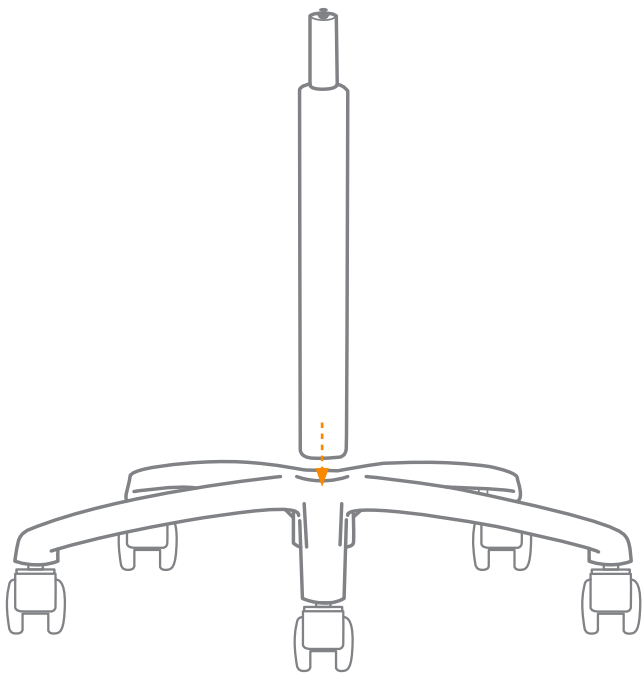
1

Insert casters or glides in base.



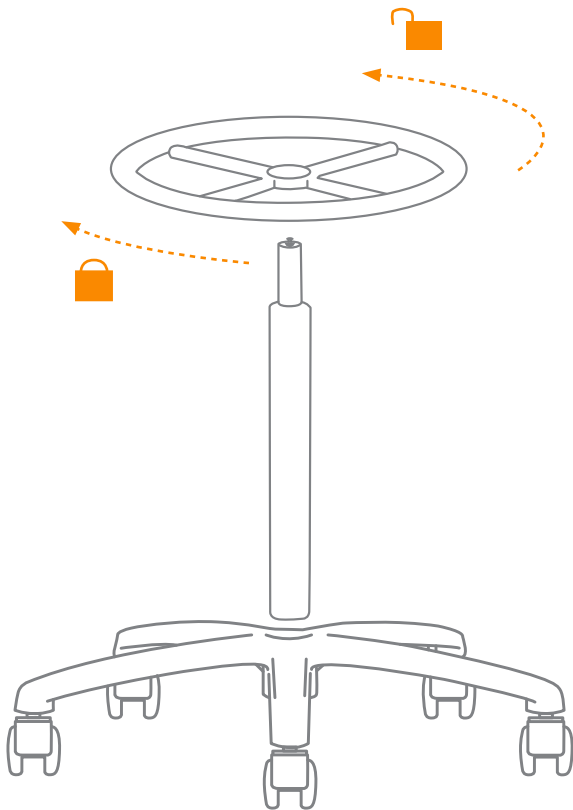
2

Insert cylinder in base.



3

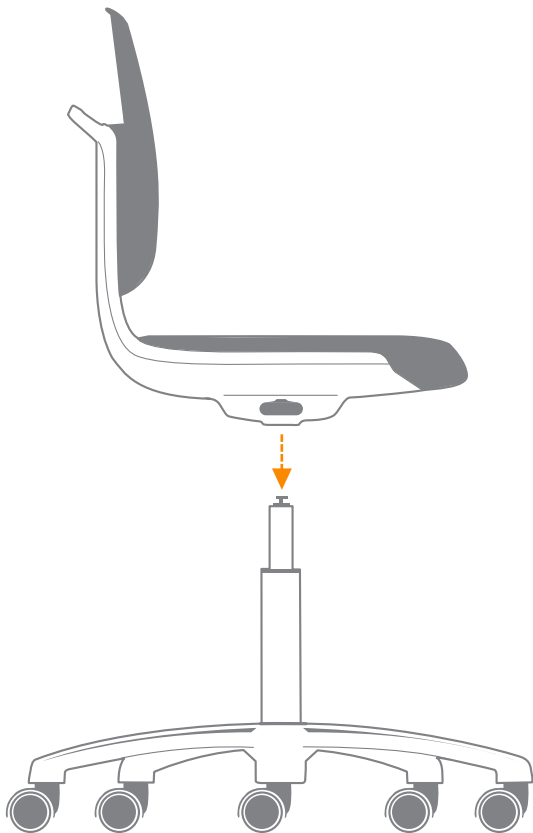
Install the twist-lock the footring. Turn counter-clockwise to lock.



Footring included on high-height models only.

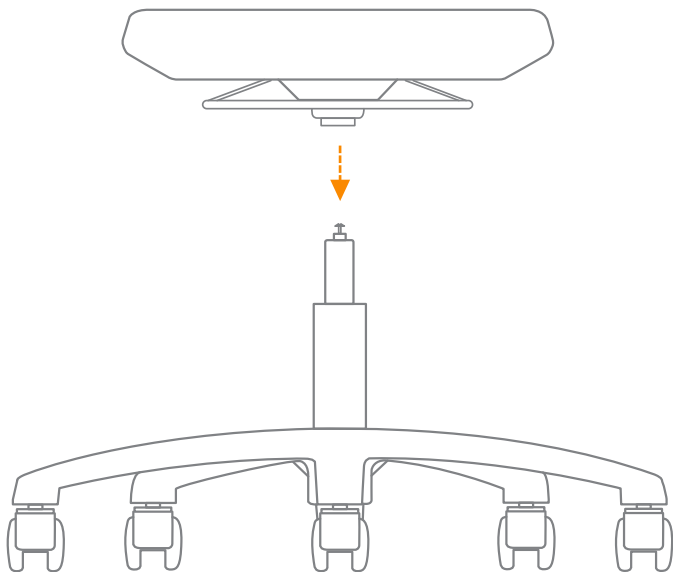
4

Attach the chair assembly.



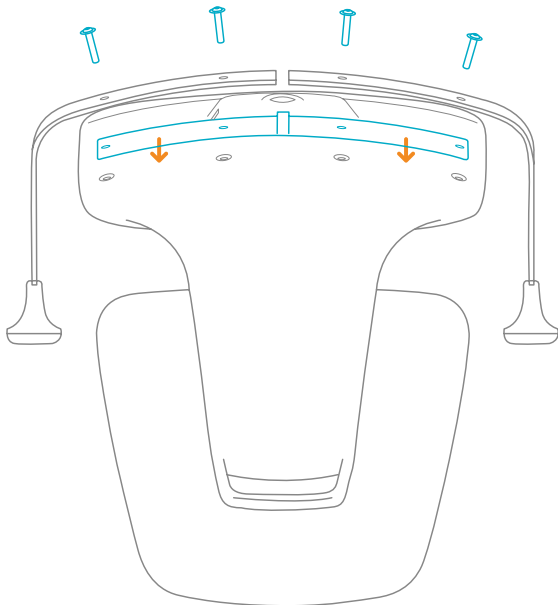
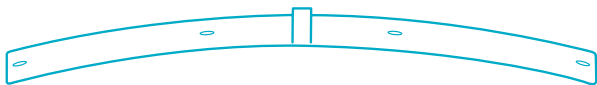
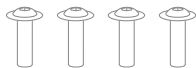
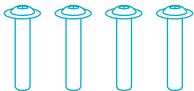
5

Or attach the seat assembly.



6

Attach the arms if applicable. Place the spacer on the seat and attach the arms using the four long bolts provided.



7

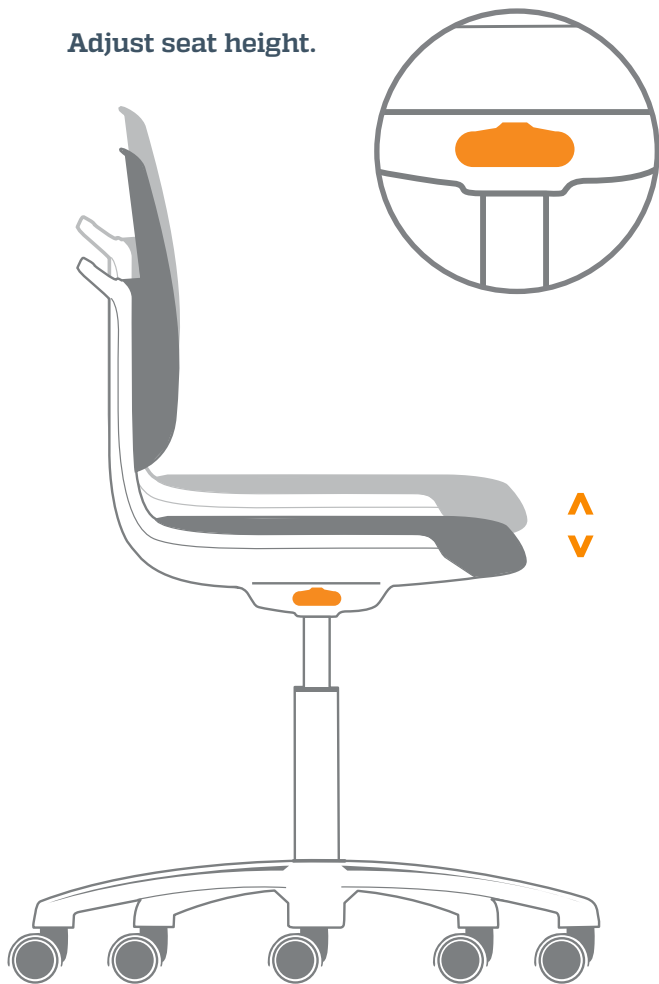
Ready for use!





Height Adjustment

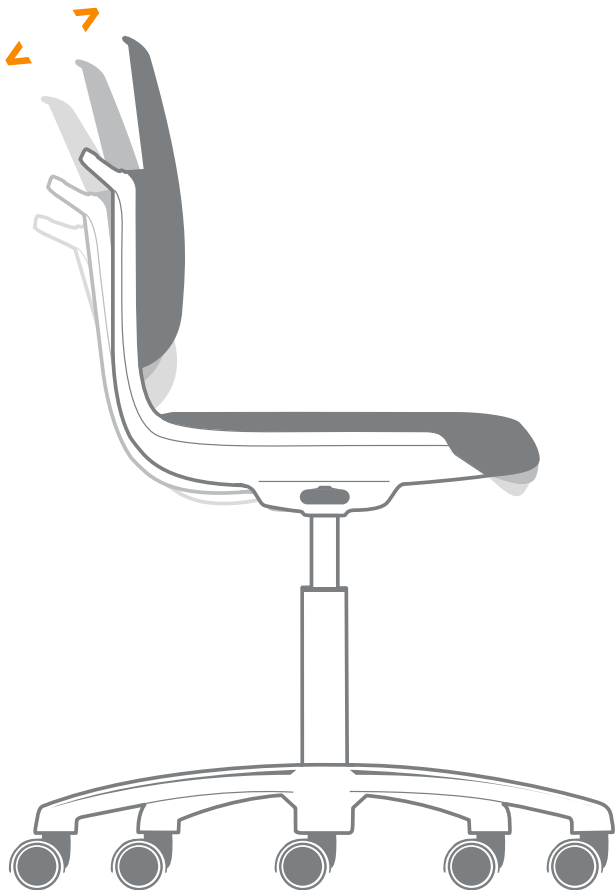
Adjust seat height.





Flex Function

**Enjoy the flexing back and seat edge with
no adjustments required!**





Footring Adjustment

Twist the footring to adjust to the desired height.



E



Cleaning Agents:

Chlorine

Ethanol (70%)

Formaldehyde

Germatol

Haz-Tabs

Natriumhypochlorite

Octenisept

Sagrotan

Sterillium

Topaxx 421

and more.



CTDL



CTHL



CTRD



CTRH